

Coffin manufacturing machines



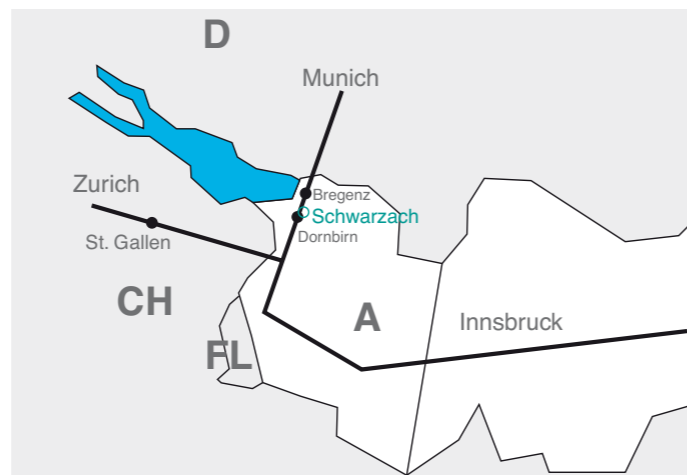
. precise . flexible . efficient .

mbm

Maschinenbau Ges.m.b.H.

Since 1979 **mbm** has specialised with a qualified team in the specific requirements of the economy.

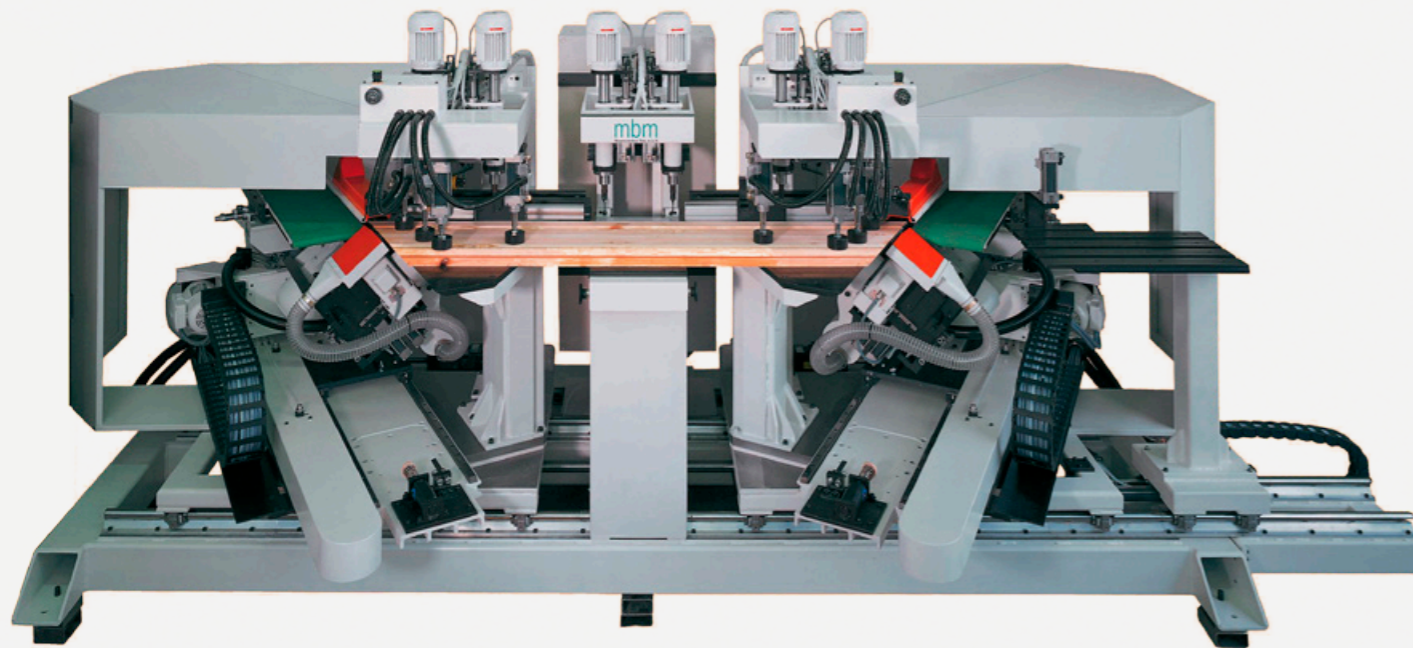
Rapidly changing markets and technologies require innovative procedural-models for economical working. The automation of the production process and simplified handling of the utilised special purpose machines, establish the connection of today's production requirements and the competitive ability for tomorrow. **mbm special purpose machines** are developed from customer specific requirements and ideas, the advice and conception of our design engineers and the professional realisation of our assembly teams.



» Ranges of activity:

Wood processing technology
Handling technology
Conveyor technology

Packaging technology
Assembly technology
Jig technology



DAS-U

Your advantages:

- Exact cutting to size and correct angle
- Perfect cutting quality
- Minimum set-up time
- Scratch and trace free surface
- Efficient mode of operation
- Precision throughout entire service-life

Options:

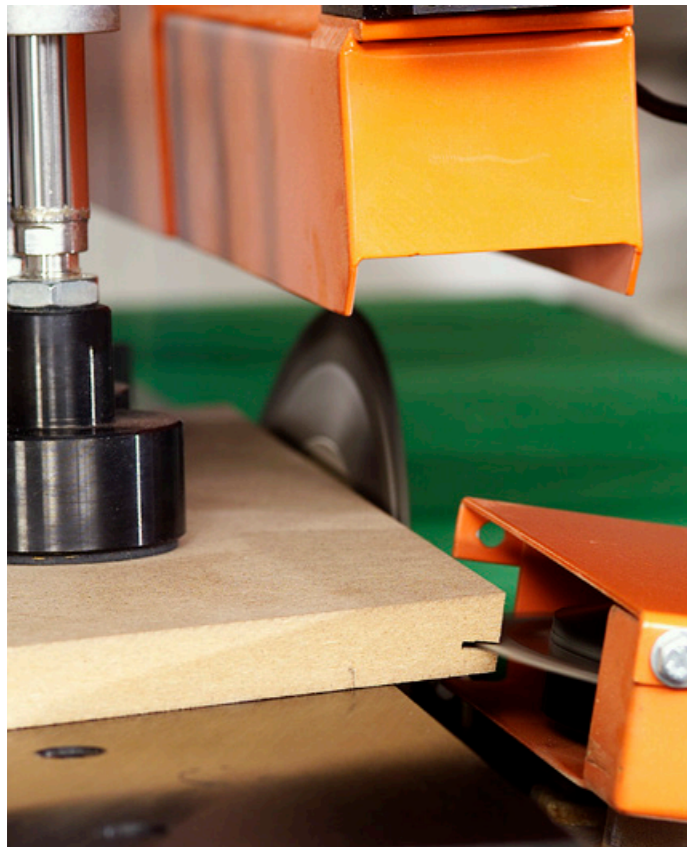
- Groove-milling aggregate
- Drilling aggregate
- Disengaging table
- Line laser
- 5-axis measuring indicator
- 6-axis control

Control (freely programmable):

- Simple program creation
- Large storage capacity (1000 programs)
- Automatic angle and length adjustment
- Fault diagnosis during failure

Options:

- Interface to transfer the manufacturing data
- Remote diagnostics via telephone



» technical data

DAS-U

Work piece size	
Length of workpiece	250 mm – 2200 mm
Width of workpiece	50 mm – 650 mm
Height of workpiece	max. 85 mm
Mitre angle	
Large mitre	93° – 45°
Small mitre	90° – 43°
Accuracy of measurements	
Large mitre	+/- 0,02°
Small mitre	+/- 0,05°
Length of work piece	+/- 0,2 mm

Saw-blade

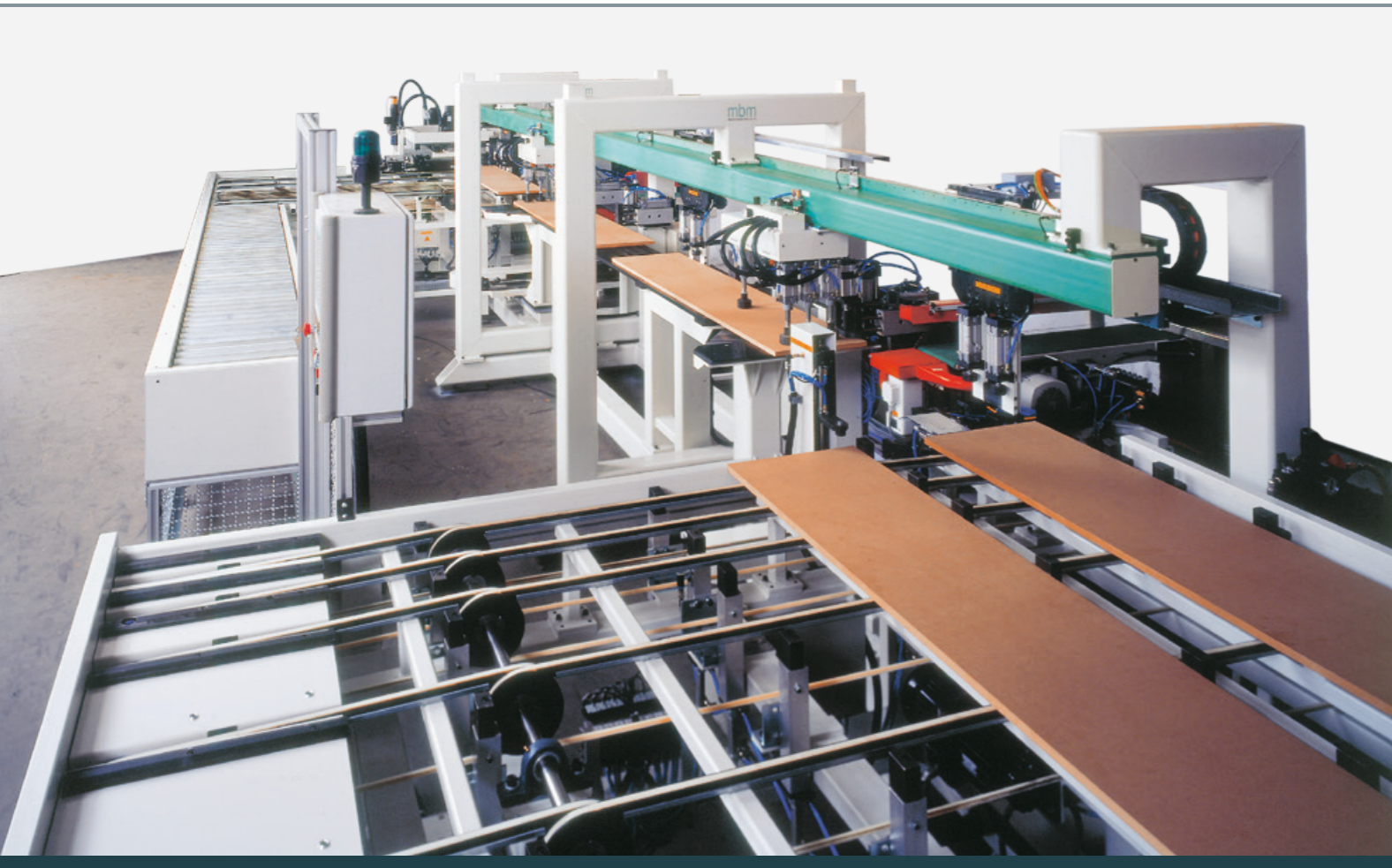
Diameter	350 mm/400 mm
Bore diameter	30 mm

Groove-milling aggregate

Diameter	180 mm
Bore diameter	30 mm

Machine data

Saw advance speed	forwards / backwards up to 30 m/min.
Saw motor output	5,5 kW per unit
Revolution speed	4200 rpm.
Groove-milling aggregate motor output	1kW per unit
Revolution speed	6000 rpm.



DAS-FL

Your advantages:

- Direct cost reductions through savings in time and staff
- Optimum machine use
- Addition to capacity
- Shorter auxiliary process time of the machine
- Flexible and immediate product change
- Optimisation of the production process
- Efficient, automatic mode of operation
- Exact cutting to size and correct angle
- Perfect cutting quality
- Scratch and trace free surface
- Precision throughout entire service-life

Options:

- Slant roll conveyor with end stop
- Intermediate stacking device
- Adhesive application device
- Moulding assembly table

Control (freely programmable):

- Simple program creation
- Large storage capacity (2000 programs)
- Automatic angle and length adjustment
- Fault diagnosis during failure
- Correction of the length and the groove height for differing wood thicknesses
- Cut different programs from one piece of wood

Options:

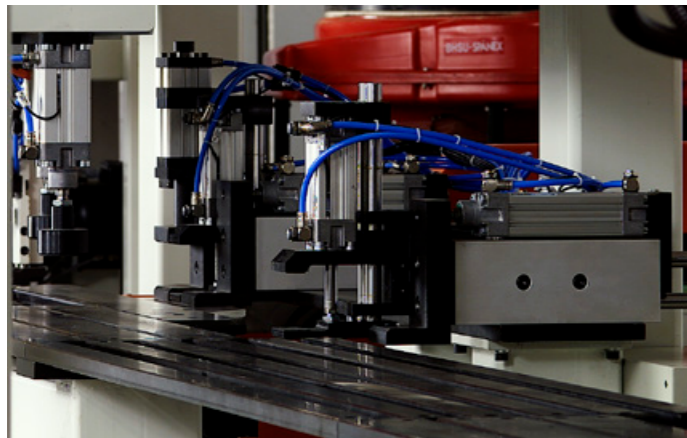
- Interface to transfer the manufacturing data
- Remote diagnostics via telephone

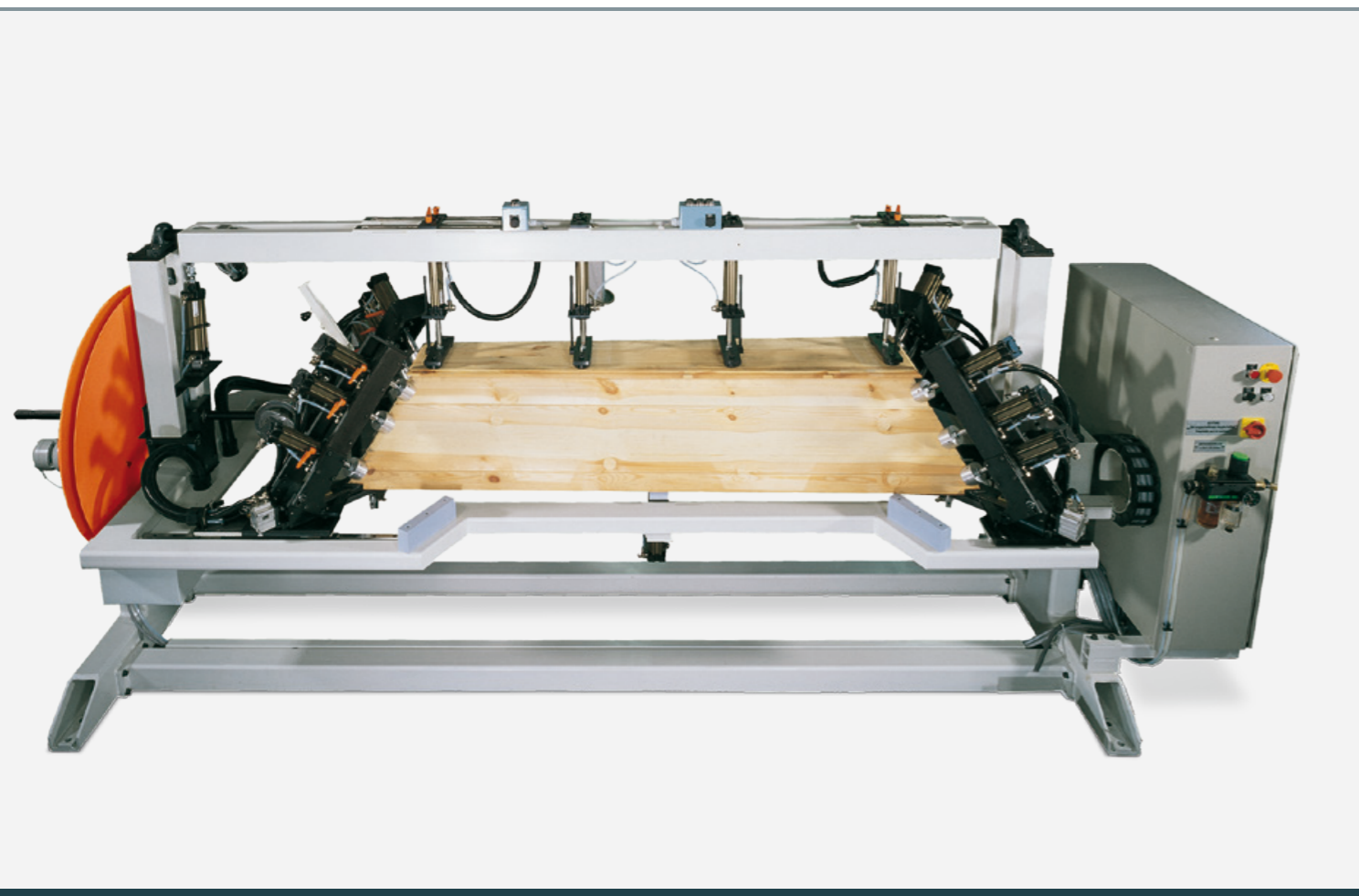
» technical data

DAS-FL

Work piece size	
Length of workpiece	250 mm – 2170 mm
Width of workpiece	100 mm – 660 mm
Height of workpiece	max. 85 mm
Mitre angle	
Large mitre	93° – 45°
Small mitre	90° – 43°
Accuracy of measurements	
Large mitre	+/- 0,02°
Small mitre	+/- 0,05°
Length of workpiece	+/- 0,2 mm
Drilling distances	+/- 0,3 mm
Location of the groove in relation to the outer contour	+/- 0,2 mm
Cycle time (including sawing, groove-milling, drilling of 3 fixing holes and 2 pairs of grip holes)	17 – 18 seconds per piece

Saw-blade	
Diameter	350 mm/400 mm
Bore diameter	30 mm
Groove-milling aggregate	
Diameter	180 mm
Bore diameter	30 mm
Machine data	
Saw advance speed	forwards / backwards up to 30 m / min.
Saw motor output	5,5 kW per unit
Revolution speed	4200 rpm.
Groove-milling aggregate motor output	1kW per unit
Revolution speed	6000 rpm.





KPO/KPU (For coffin top KPO, For coffin bottom KPU)

» With our combined Corpus press it's possible to assemble coffin top and coffin bottom. 1 person assembles up to 60 coffins in a shift.

With larger number of pieces it must be a Corpus press for coffin top and a Corpus press for coffin bottom. 2 persons assemble up to 140 coffins in a shift. With serial production is even more possible!

Your advantages:

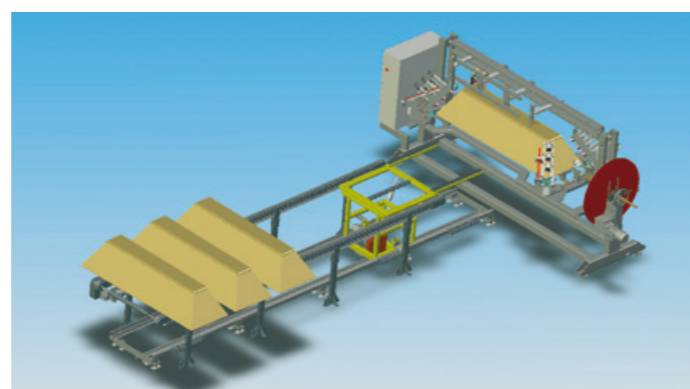
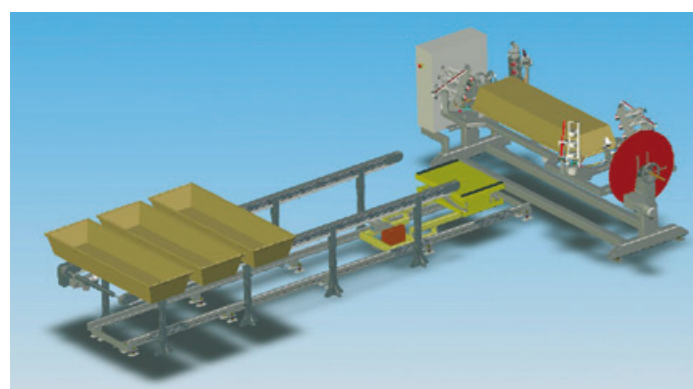
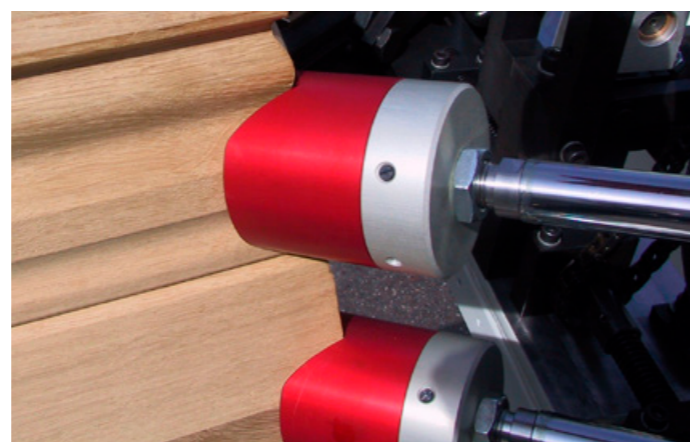
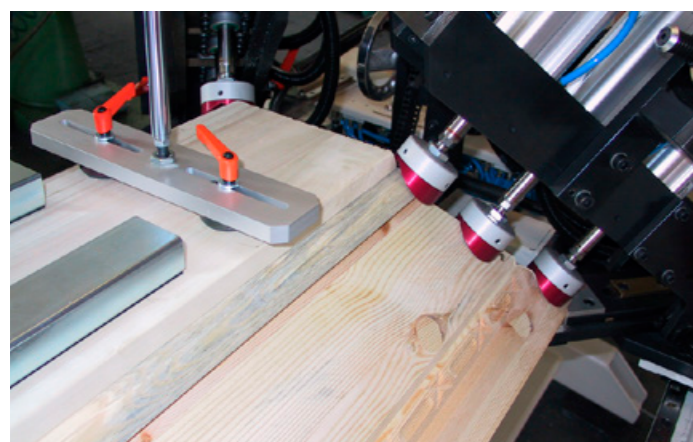
- Universally applicable on all models
- Toolless model change in best time
- Can be used on various types of corner joint
- Middle centering of the head and foot section
- High-level clamping pressure on all corners
- Bottom base or top lid assembly possible
- 200° rotatable

Option: with automatic lift-out device

- Working time savings:
 - The next parts can be already prepared or glued during the automatic lift-out
 - Lifting no heavy parts

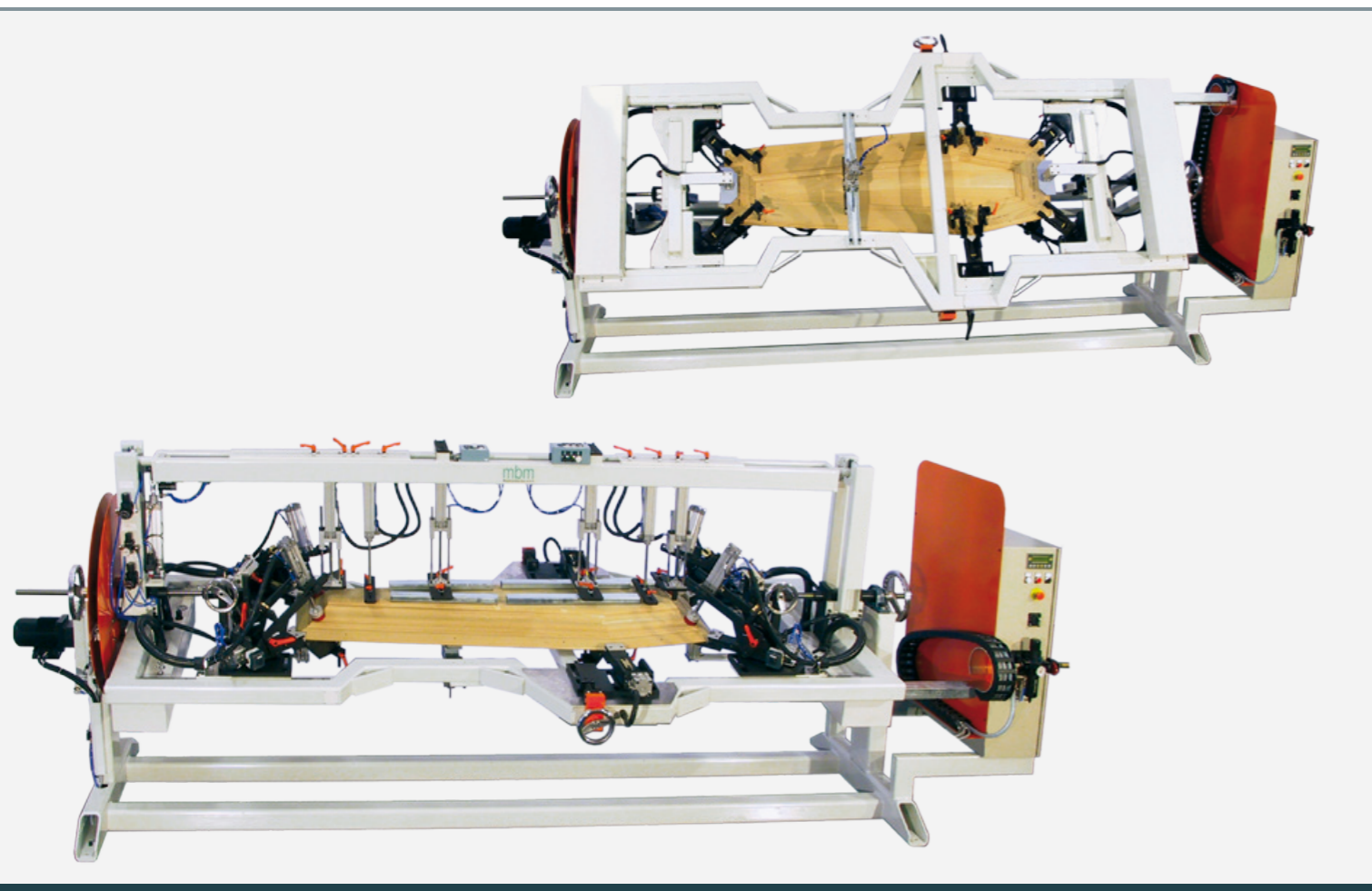
Fewer reworking:

- Diagonal dimensions are identical
- Precise execution of angles
- Truing is lesser or is even dispensed completely



» technical data

KPO:		KPU:	
Length side section:	1730 mm – 2150 mm	Length side section:	1730 mm – 2150 mm
Length head section:	480 mm – 730 mm	Length head section:	550 mm – 800 mm
Length foot section:	480 mm – 730 mm	Length foot section:	550 mm – 800 mm
Height of coffin:	185 mm – 375 mm	Height of coffin:	185 mm – 375 mm
Rotation:	0° – 200°	Rotation:	0° – 200°



KPO-F / KPU-F (For coffin top KPO-F, For coffin bottom KPU-F)

» 2 persons assemble with our Corpus presses with automatic lift-out device more than 60 coffins in a shift.

Your advantages:

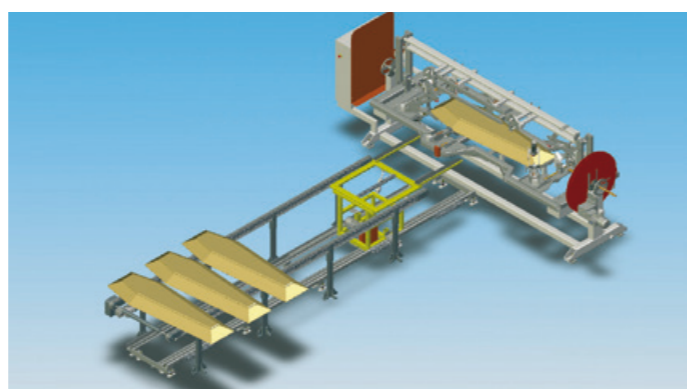
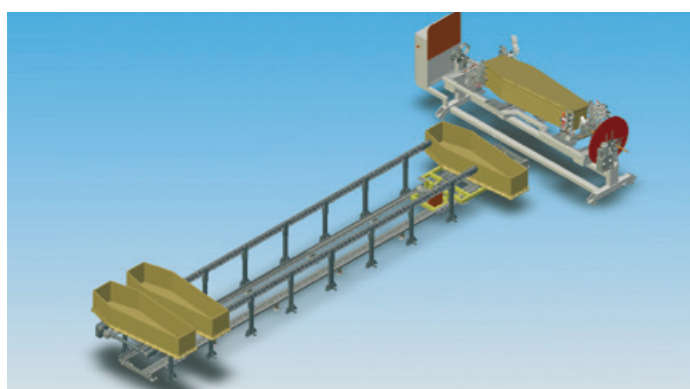
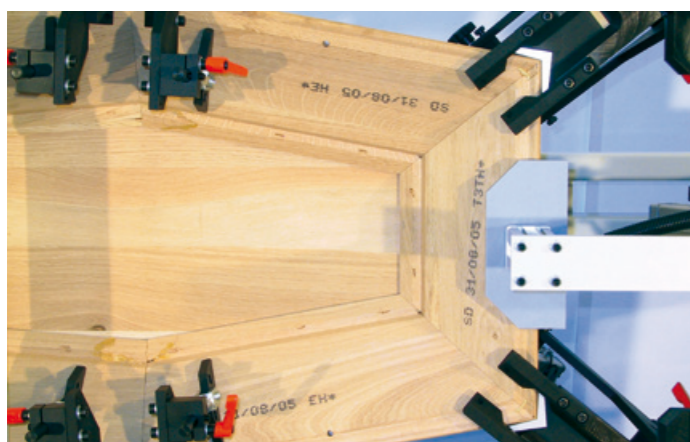
- Universally applicable on all models
- Toolless model change in best time
- Can be used on various types of corner joint
- Precise, centred component linkage
- High-level clamping pressure on all corners
- Bottom base or top lid assembly possible
- 200° rotatable

Option: with automatic lift-out device

- Working time savings:
 - The next parts can be already prepared or glued during the automatic lift-out
 - Lifting no heavy parts

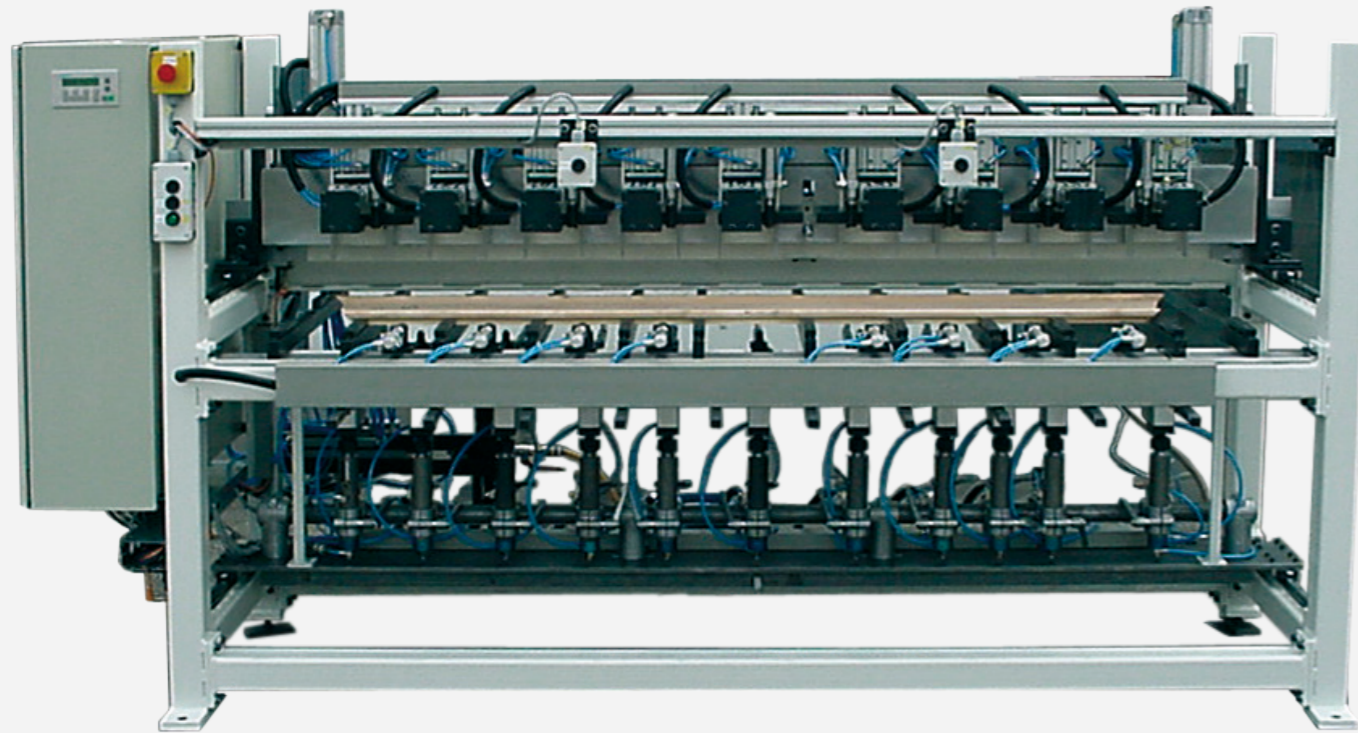
Fewer reworking:

- Diagonal dimensions are identical
- Precise execution of angles
- Truing is lesser or is even dispensed completely



» technical data

KPO-F:		KPU-F:	
Total length:	1650 mm – 2160 mm	Total length:	1600 mm – 2110 mm
Length side section long:	1250 mm – 1600 mm	Length side section long:	1200 mm – 1550 mm
Length side section short:	400 mm – 560 mm	Length side section short:	400 mm – 560 mm
Width head section:	300 mm – 600 mm	Width head section:	300 mm – 600 mm
Width foot section:	300 mm – 600 mm	Width foot section:	300 mm – 600 mm
Width centre:	550 mm – 730 mm	Width centre:	550 mm – 730 mm
Height of coffin:	90 mm – 300 mm	Height of coffin:	200 mm – 400 mm
Rotation:	0° – 200°	Rotation:	0° – 200°



LMA

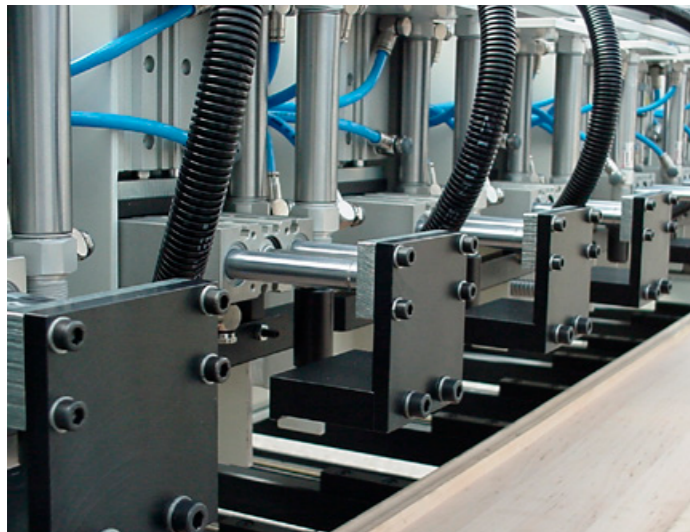
For mouldings on coffin bottom shot from below
For mouldings on coffin top shot from below

Realisation:

As a single workplace with manual feeding
As a workplace in a production line with automatic passage

Your advantages:

- Direct cost reduction through savings in time
- Universally applicable for different types of mouldings
- Automatic alignment and clamping of the coffin part and the moulding
- Minimum set-up time
- Optimisation of the production process
- Efficient mode of operation

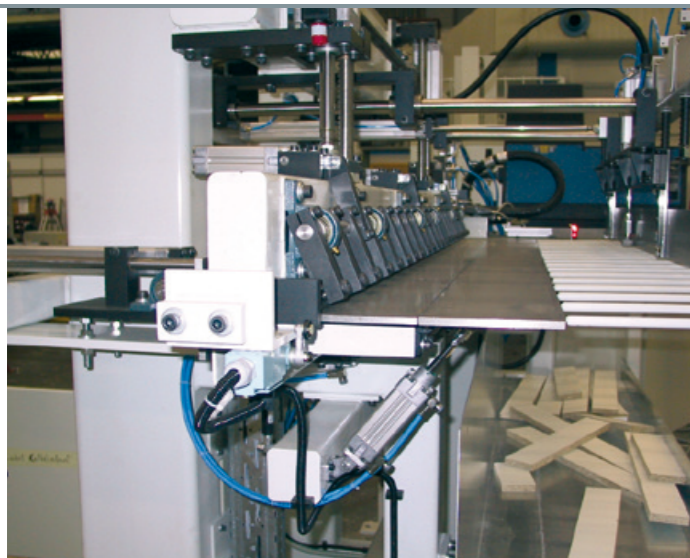


» technical data

LMA:	
Moulding	
Length	480 mm – 2100 mm
Width	25 mm – 150 mm
Height	10 mm – 30 mm
Coffin part	
Length	480 mm – 2100 mm
Width	250 mm – 400 mm
Cycle time	16–20 seconds (11 pcs. pneumatic nail guns)
Options	Customer-specific requirements

» Reference excerpt: Wood processing technology «

» Reference excerpt: Handling-/Conveyor-/Assembly technology «



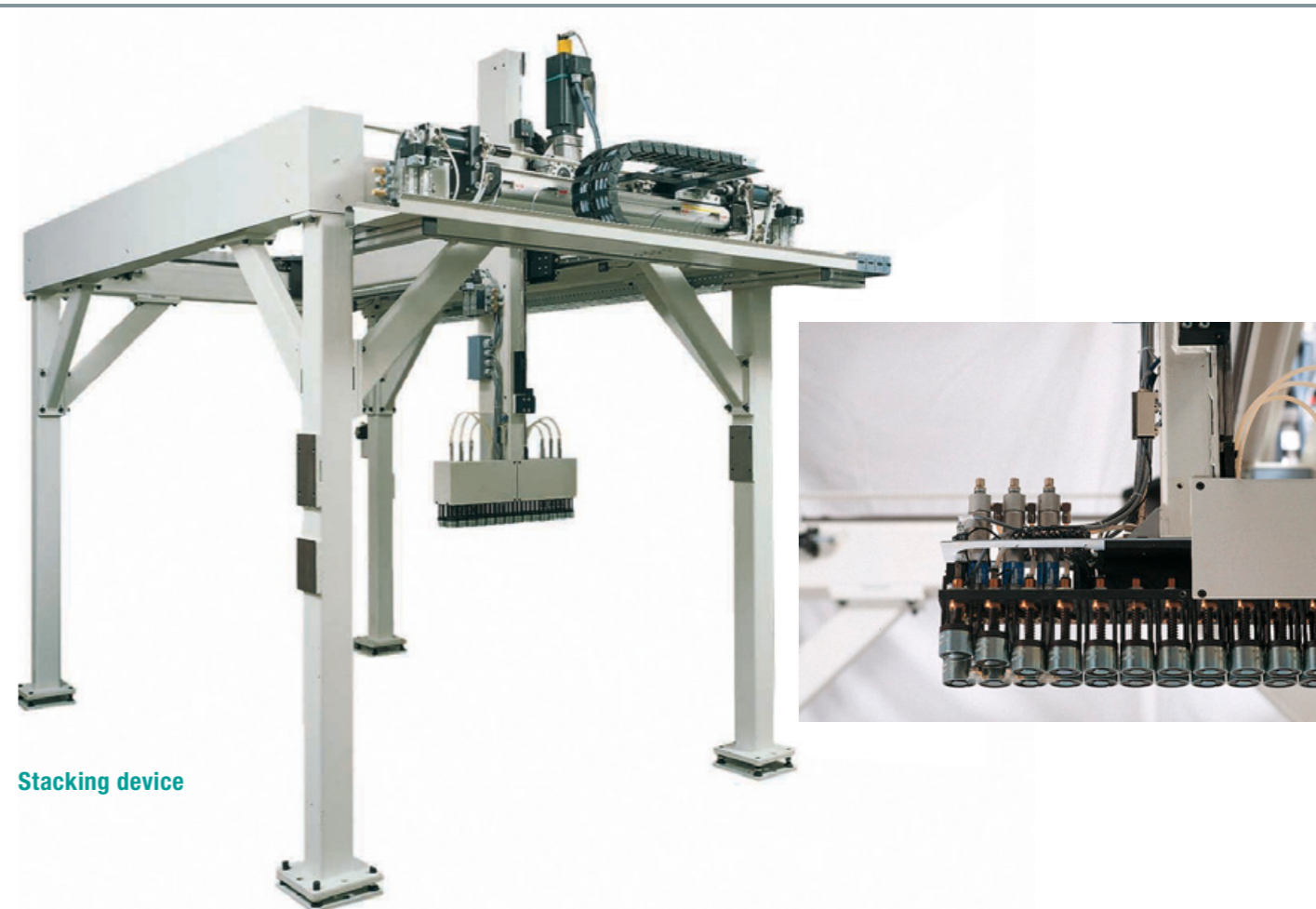
Squared timber machine



Production line for sawing-milling-drilling



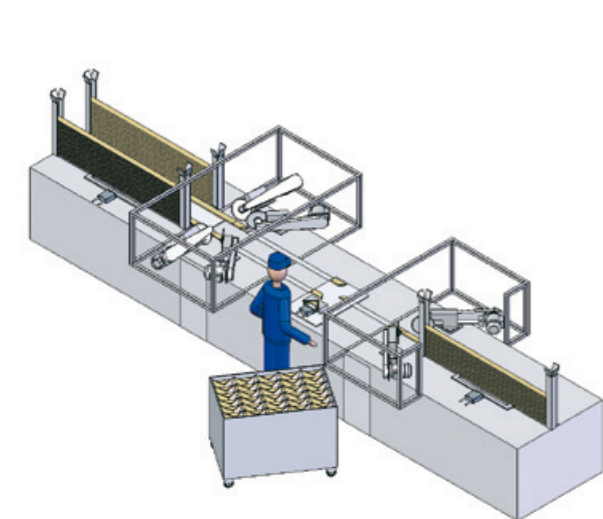
Board pre-cut saw



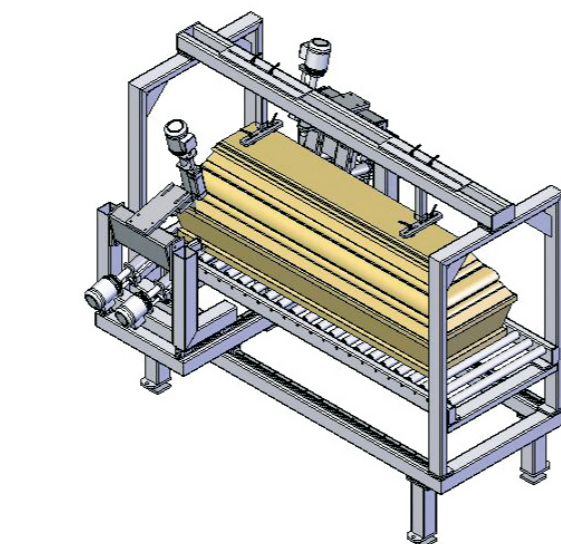
Stacking device

Conveyor line

Assembly line



Coffin-foot production line



Drilling station



mbm

Maschinenbau Ges.m.b.H.

mbm Maschinenbau Ges.m.b.H.

Fabrikstrasse 6
6858 Schwarzach / Austria

T. +43 -(0) 5572 / 5 81 77
F. +43 -(0) 5572 / 5 81 77-3
office@mbm.at

subject to change

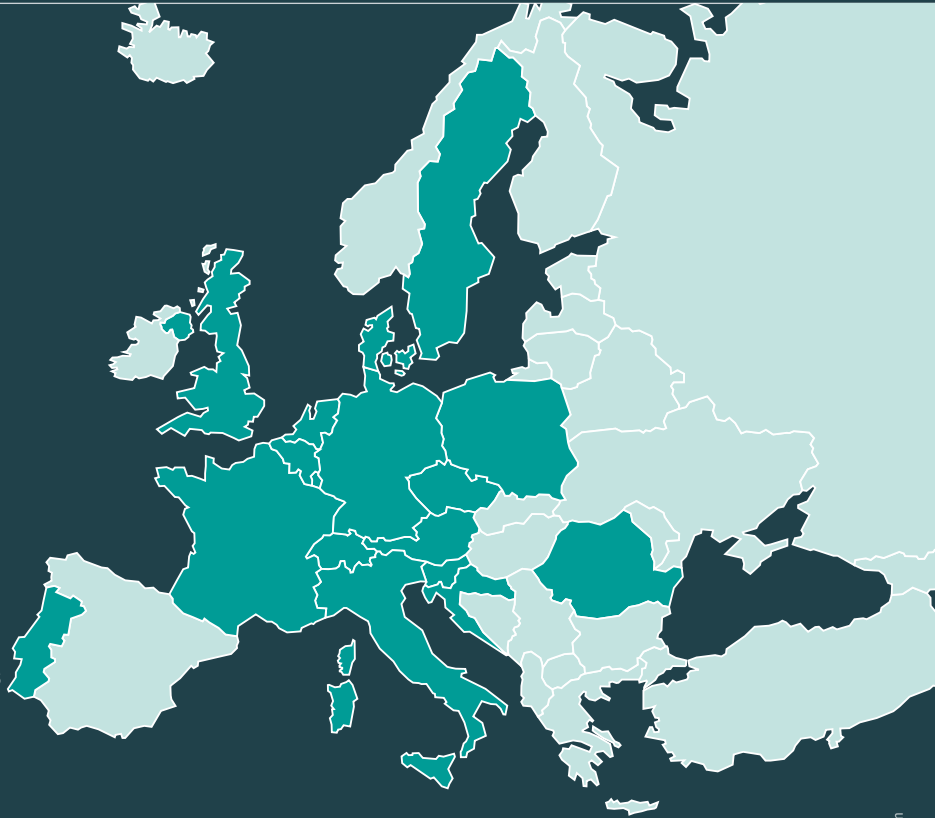
References

Europe:

- Austria
- Belgium
- Croatia
- Czech Republic
- Denmark
- France
- Germany
- Italy
- Liechtenstein
- Luxembourg
- Poland
- Portugal
- Romania
- Slovenia
- Sweden
- Switzerland
- The Netherlands
- United Kingdom

Worldwide:

- Australia
- Taiwan
- Tunisia
- USA



www.cunabo.com